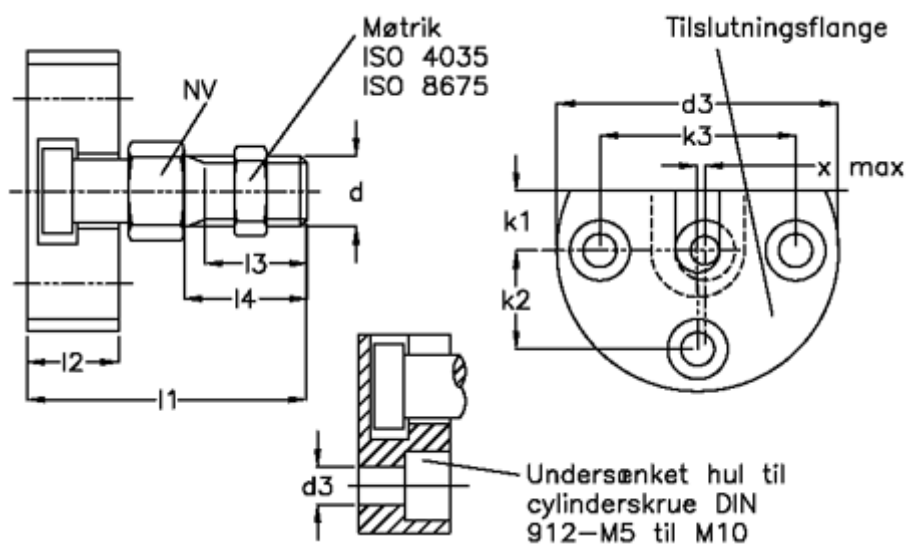


Article number: 20056553

Description: E+G Quick-fit coupling (radial displacement)
GN 240.1-M12x1,25-A

Measures



d1 = M 12x1,25	l3	= 20.5
d2 = 55	l4	= 25
d3 = 6.5	Max displacement	= 0.8
k1 = 10.0	Max push-pull strength N	= 10000
k2 = 19.0	NV	= 19
k3 = 38		
l1 = 53.0		
l2 = 20.5		